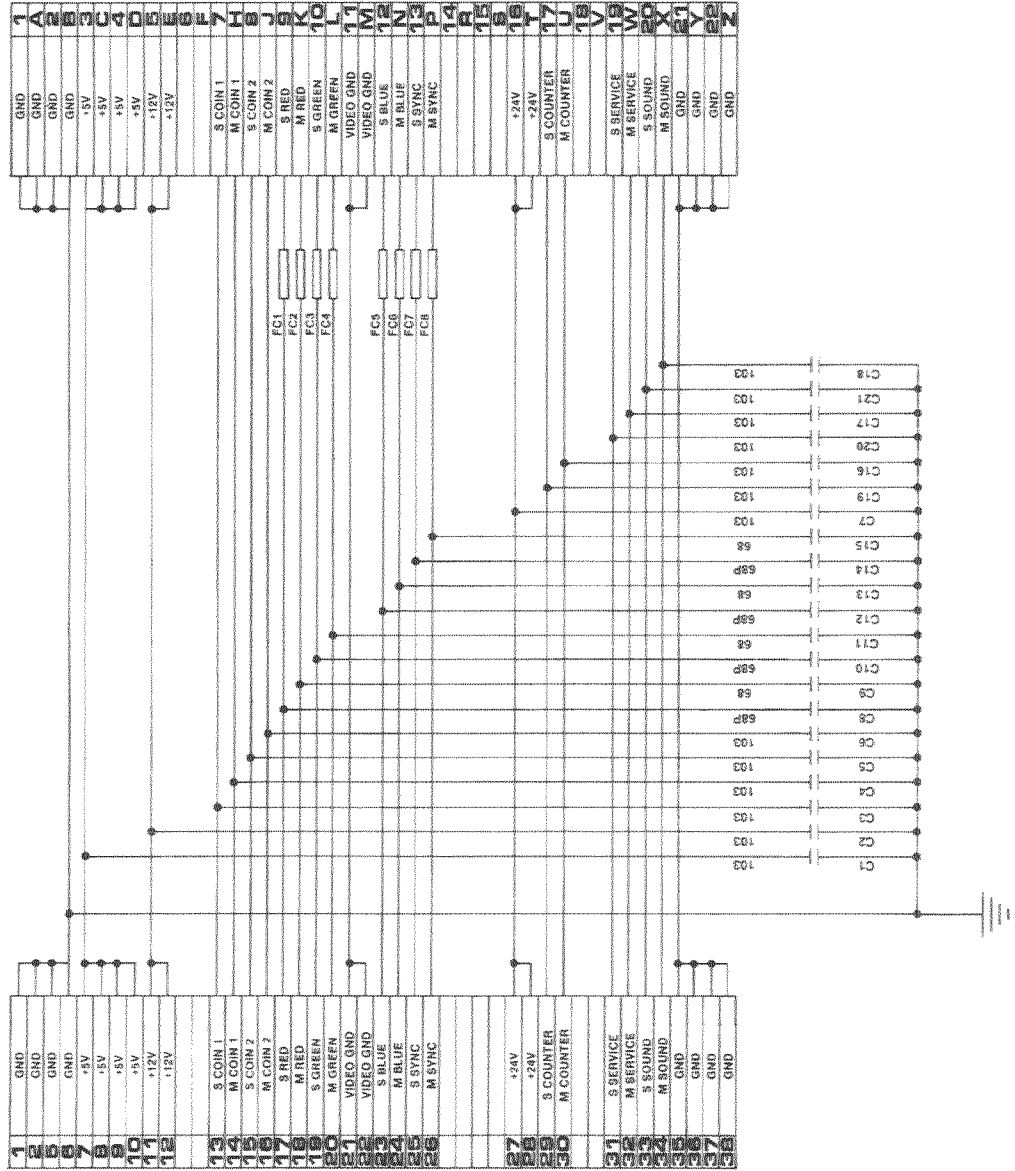


062 40P FCC Connector

44P Edge Connector

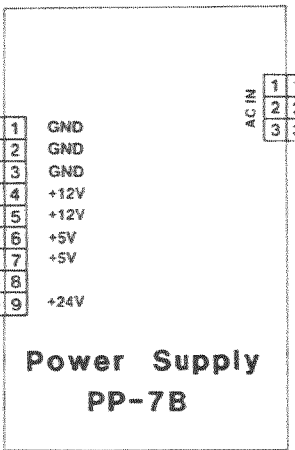
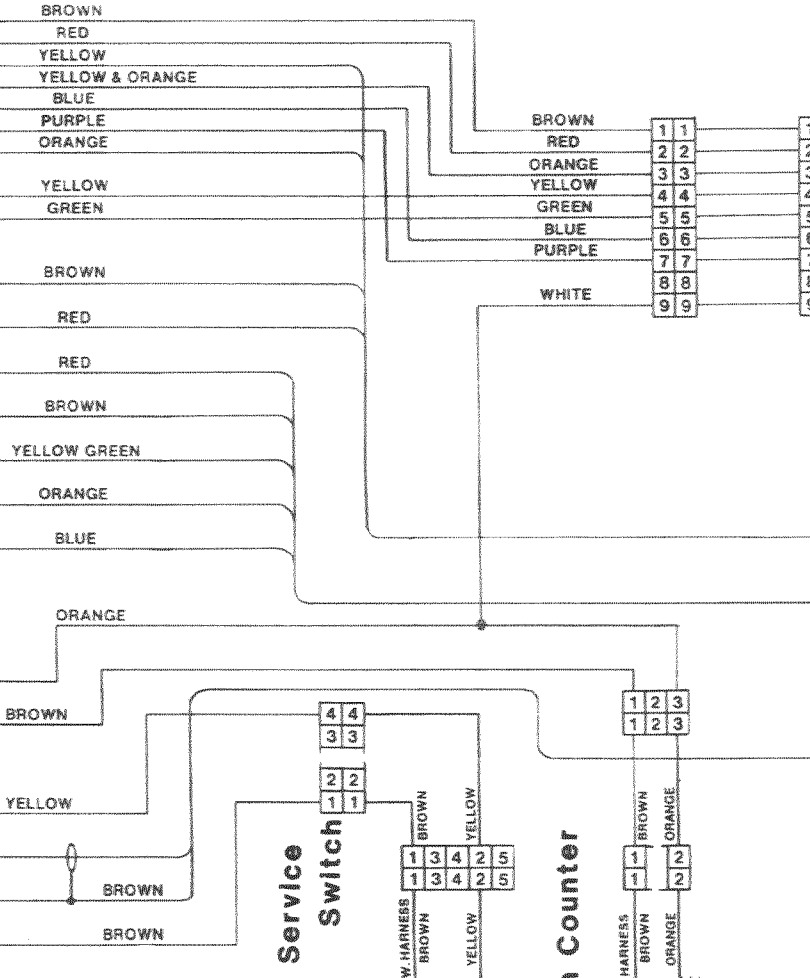


SCHEMATIC

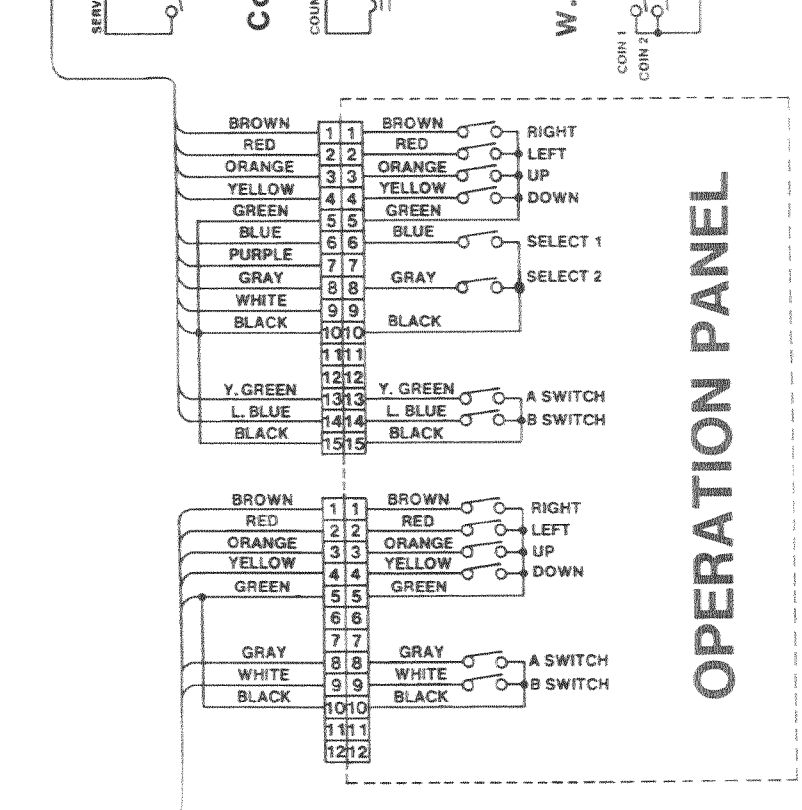
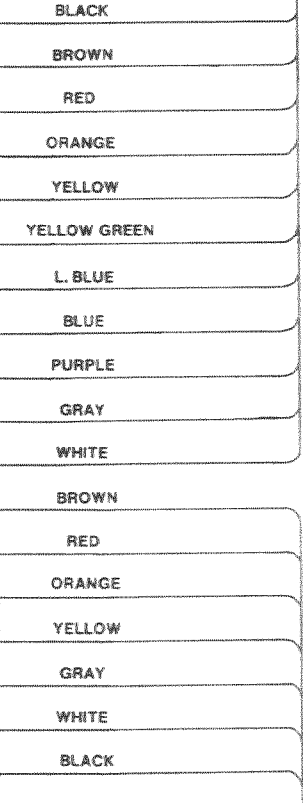
DESIGNED BY: *[Signature]*
 DATE: 3 / 10 / 84
 REVISION: REVISED
062 44P FCC PC Board
 Nintendo of America Inc
 DRAFTED BY: [Name]

1984 NINTENDO OF AMERICA, INC. ALL RIGHTS RESERVED.

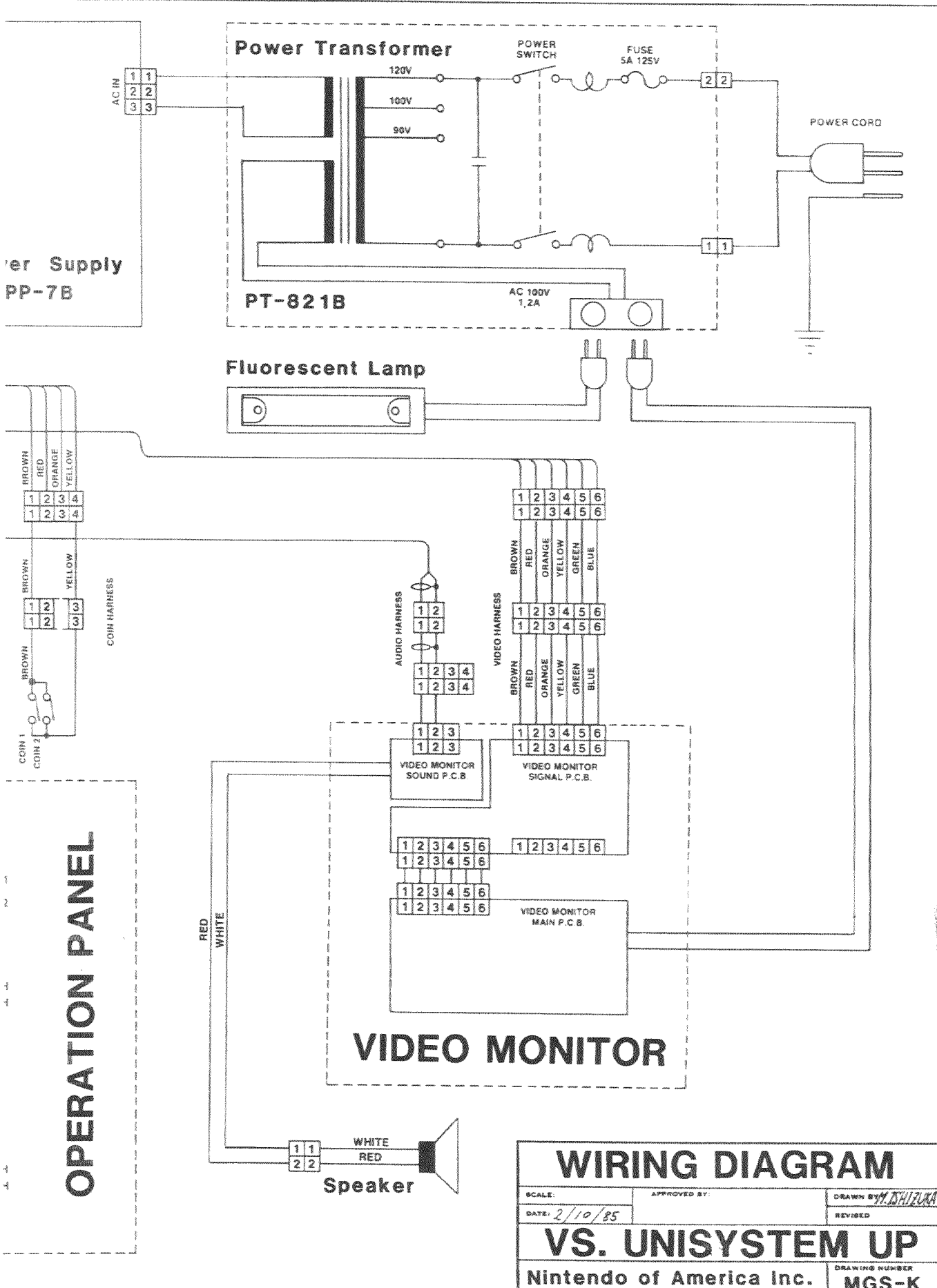
1	GND
A	GND
2	GND
B	GND
3	+5V
C	+5V
4	+5V
D	+12V
E	+12V
F	S COIN 1
7	M COIN 1
8	S COIN 2
9	M COIN 2
J	S RED
K	M RED
10	S GREEN
L	M GREEN
11	V. GND
M	V. GND
12	S BLUE
N	M BLUE
13	S SYNC
P	M SYNC
14	
15	
16	+24V
T	+24V
17	S COUNTER
U	M COUNTER
18	
19	S SERVICE
W	M SERVICE
20	S SOUND
X	M SOUND
21	GND
22	GND
Y	GND
Z	GND



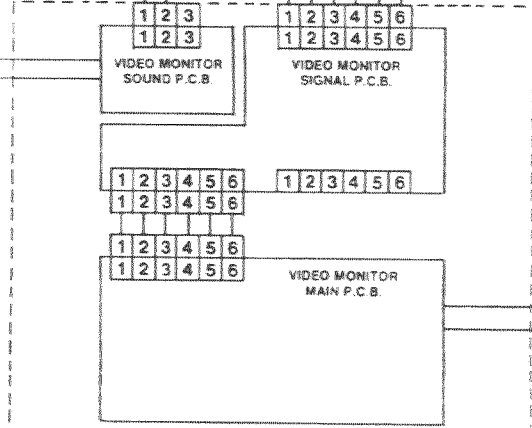
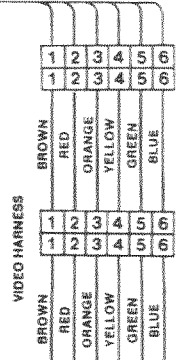
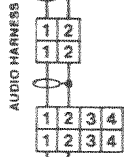
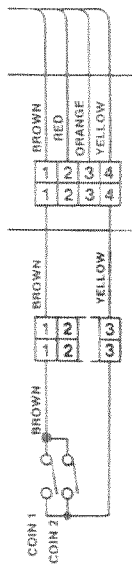
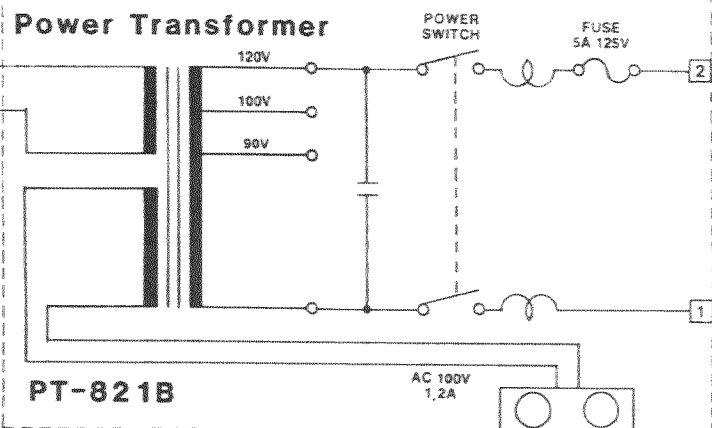
1	GND
A	GND
2	S1 RIGHT
B	M1 RIGHT
3	S1 LEFT
4	M1 LEFT
5	S1 UP
D	M1 UP
6	S1 DOWN
E	M1 DOWN
7	S1 A SWITCH
F	M1 A SWITCH
8	S1 B SWITCH
H	M1 B SWITCH
9	S SELECT 1
J	M SELECT 1
K	S SELECT 2
L	M SELECT 2
10	S SELECT 3
M	M SELECT 3
11	S SELECT 4
N	M SELECT 4
12	S2 RIGHT
13	M2 RIGHT
14	S2 LEFT
P	M2 LEFT
15	S2 UP
R	M2 UP
16	S2 DOWN
S	M2 DOWN
17	S2 A SWITCH
T	M2 A SWITCH
18	S2 B SWITCH
U	M2 B SWITCH
V	GND



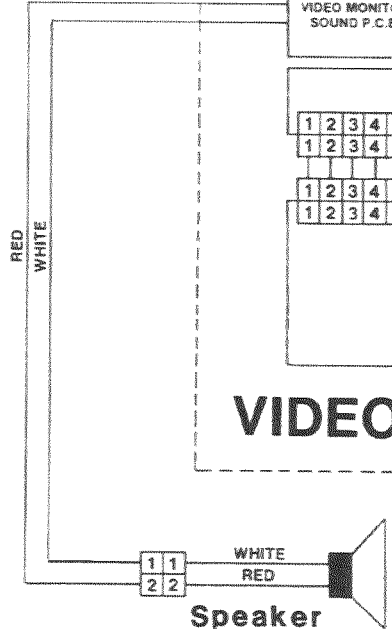
OPERATION PANEL



Power Supply
PP-7B



VIDEO MONITOR



OPERATION PANEL

WIRING DIAGRAM		
SCALE:	APPROVED BY:	DRAWN BY: <i>M. J. BURKA</i>
DATE: 2/10/85		REVISED:
VS. UNISYSTEM UP		
Nintendo of America Inc.	DRAWING NUMBER MGS-K	

062 44P FCC BOARD (REV. 3/10/84) (DATE) APPROVED BY: [signature] (NAME) DATE: 3/10/84 (DATE) DRAWING NUMBER: 062 44P FCC BOARD (DRAWING NUMBER)

MDS PCB

062 44P FCC HARNESS

1	GND	BLACK	1	1
A	GND	BLACK	2	2
B	GND	BLACK	3	3
C	GND	BLACK	4	4
D	+5V	RED	5	5
E	+5V	RED	6	6
F	+5V	RED	7	7
G	+12V	ORANGE	8	8
H	+12V	ORANGE	9	9
I	S COIN 1	BROWN	10	10
J	M COIN 1	BROWN	11	11
K	S COIN 2	RED	12	12
L	M COIN 2	RED	13	13
M	S RED	RED	14	14
N	M RED	RED	15	15
O	S GREEN	BROWN	16	16
P	M GREEN	BROWN	17	17
Q	V. GND	YELLOW	18	18
R	Y. GND	YELLOW	19	19
S	S BLUE	ORANGE	20	20
T	M BLUE	ORANGE	21	21
U	S SYNC	BLUE	22	22
V	M SYNC	BLUE	23	23
W				
X				
Y				
Z				
AA				
AB				
AC				
AD				
AE				
AF				
AG				
AH				
AI				
AJ				
AK				
AL				
AM				
AN				
AO				
AP				
AQ				
AR				
AS				
AT				
AU				
AV				

062 44P FCC PCB

44P Edge Harness Connector

062 36P FCC HARNESS

1	GND	BLACK	3	3
A	GND	BLACK	4	4
B	S1 RIGHT	BROWN	5	5
C	M1 RIGHT	BROWN	6	6
D	S1 LEFT	RED	7	7
E	M1 LEFT	RED	8	8
F	S1 UP	ORANGE	9	9
G	M1 UP	ORANGE	10	10
H	S1 DOWN	YELLOW	11	11
I	M1 DOWN	YELLOW	12	12
J	S1 A SWITCH	YELLOW GREEN	13	13
K	M1 A SWITCH	YELLOW GREEN	14	14
L	S1 B SWITCH	LIGHT BLUE	15	15
M	M1 B SWITCH	LIGHT BLUE	16	16
N	S SELECT 1	BLUE	17	17
O	M SELECT 1	BLUE	18	18
P	S SELECT 2	PURPLE	19	19
Q	M SELECT 2	PURPLE	20	20
R	S SELECT 3	GRAY	21	21
S	M SELECT 3	GRAY	22	22
T	S SELECT 4	WHITE	23	23
U	M SELECT 4	WHITE	24	24
V	S2 RIGHT	BROWN	25	25
W	M2 RIGHT	BROWN	26	26
X	S2 LEFT	RED	27	27
Y	M2 LEFT	RED	28	28
ZA	S2 UP	ORANGE	29	29
ZB	M2 UP	ORANGE	30	30
ZC	S2 DOWN	YELLOW	31	31
ZD	M2 DOWN	YELLOW	32	32
ZE	S2 A SWITCH	GRAY	33	33
ZF	M2 A SWITCH	GRAY	34	34
ZG	S2 B SWITCH	WHITE	35	35
ZH	M2 B SWITCH	WHITE	36	36
ZI	GND	BLACK	37	37
ZJ	GND	BLACK	38	38

062 36P FCC PCB

36P Edge Harness Connector

WIRING DIAGRAM

SCALE	DATE: 3/10/84	APPROVED BY:	DRAWING NUMBER
DATE: 3/10/84			062 FCC PC Board
APPROVED BY:			Nintendo of America Inc.